

MAXIMAT TC2 / TC4

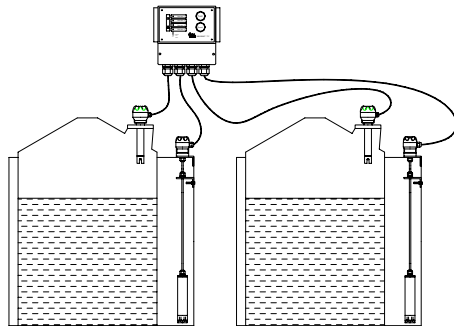
Signalling device for up to 2 or 4 MAXIMAT C series overflow inhibitors / leakage probes with optical and acoustic signals in accordance with approval requirements for overflow inhibitors (ZG-ÜS)



MAXIMAT TC2



MAXIMAT TC4



Safety Precautions

- Installation, initial start-up and maintenance may only be performed by trained personnel!
- The device must be disconnected from all sources of power during installation and maintenance work!
- The device may only be operated under the conditions specified in the operating instructions!

Technical Data

Supply power:

230 V AC or 24 V DC

Power consumption:

Approx. 6 VA / approx. 6W

Ambient temperature:

-20 to +60° C

Protection per EN 60 529:

IP 65

Special supply power:

15 V DC, short-circuit proof

Inputs:

Up to 2 or 4 MAXIMAT C series probes

1 external reset contact

Outputs:

4 floating changeover contacts assigned to the individual probes

1 floating changeover contact for group alarms

1 floating changeover contact for the external horn

Contact rating for output relays:

250 V AC / 115 V DC

500 VA / 3 A

Indicators:

4 LEDs (multicoloured)

Blinking red = alarm pending

Continuous red = alarm acknowledged

Blinking yellow = defective probe

Continuous yellow = test in progress

Continuous green = probe is active

Dark LED = no probe connected

1 piezo signal generator: >75 dB (A)/1m

1 extra-bright flashing LED for group alarm

Controls:

Reset button for acknowledging alarms

Test button for system test

System Test *

- Press the test button.
- The self-test is started for the signalling device. LEDs **light up yellow for probes with test connection.**
- Alarm simulation signals are read out to sensors 1, 2, 3 and 4, and the return signals from the sensors are checked (only for sensors with the test button option).
- The LED indicators, the piezo horn, the group output relay and the horn output relay are activated.
- Press the buttons located directly on the probes in order to test the individual probe alarm relays.

Test passed = The respective LED lights up **green.**

Test failed = The respective LED **blinks yellow.**

* Note: This function test does not replace the operating test specified in ZG-ÜS, section 6.2, which must be conducted for all probes on a regular basis at least once a year.

Wire Breakage Monitoring

Interconnected probes are monitored for broken wires during operation. Faulty connections are indicated by a blinking yellow LED for the respective probe. After the error has been eliminated, the **TEST button** must be activated, after which the probe is tested and the LED lights up green once again.

Maintenance

The device is maintenance-free if used for its intended purpose.

The internal miniature fuse may only be replaced with a new fuse of identical type!

CE Mark

In accordance with low-voltage directive 73/23/ECC and EMC directive 89/336/ECC



IER Meß- und Regeltechnik GmbH

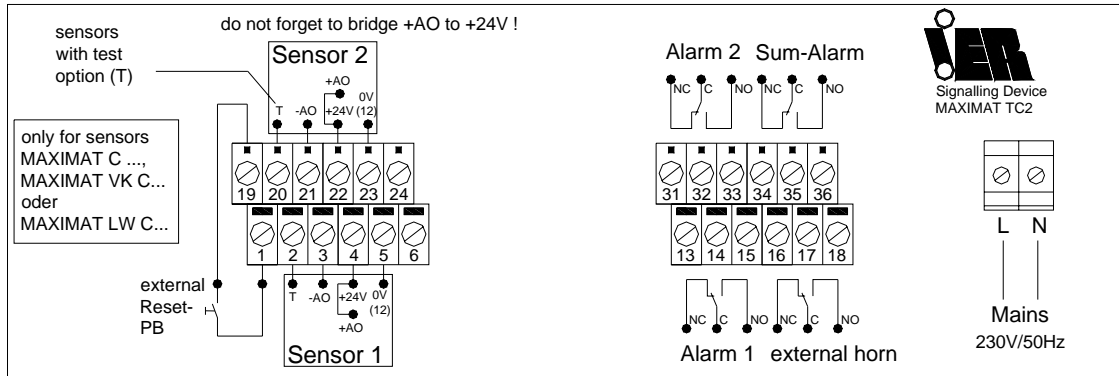
Innstrasse 2

D-68199 Mannheim, Germany

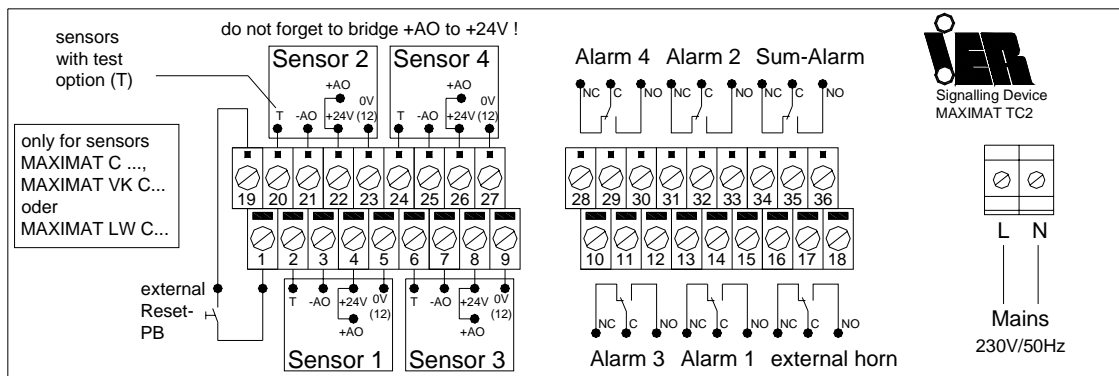
Phone: +49 (0)621 84224-0 • Fax: +49 (0)621 84224-90

e-mail: info@IER.de • Internet: www.IER.de

Electrical Connection



MAXIMAT TC2



MAXIMAT TC4

Installation and Initial Start-Up:

- Mount the signalling device to the wall and connect the sensors in accordance with the schematic diagram shown above.
- Connect the signalling device to supply power (230 V AC or 24V DC as specified on the serial plate).
- Switch supply power on.
- The signalling device conducts a self-test (all LEDs and the piezo signal generator are tested).
- Interconnected probes are tested: LEDs light up yellow for probes with test connection.
- Test passed = continuously lit, green LED
- Test failed = blinking yellow LED
- The LEDs for unused channels do not light up at all.
- The following data are entered to a status list by the electronics for later use when the device is switched on for the first time:
 - Probe connected to input: yes/no, a single acoustic signal is generated during testing.
 - Respective probe equipped with test connection: yes/no, two acoustic signals are generated during testing. (default setting: no interconnected probes)
- Each time the system test is conducted it can thus be determined whether or not the respective probes function correctly.
- If a new probe is connected, it is added to the status list the next time the device is switched on.
- If an existing probe is disconnected, it is removed from the status list and the respective LED is deactivated: Press and hold the reset button **for at least 5 seconds**.
- **Attention:**
All probes must be tested for correct functioning in accordance with regulations set forth in section 8 of the general technical approval during initial start-up, and at least once a year thereafter!

Troubleshooting:

None of the LEDs light up and all relays are released, although supply power has been switched on:

- Miniature fuse is blown (on the lower PCB).
- Short-circuit at one or more probe cables (between 0 V and 24 V). The device is switched off by means of electronic short-circuit protection, and rapid ticking can be heard from inside the device.