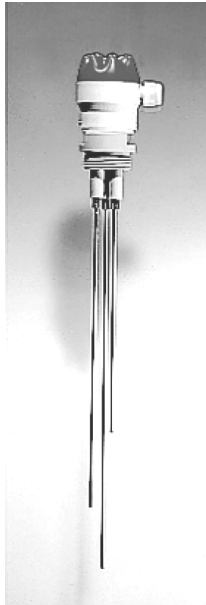


Operating Instructions

STE Rod Electrode with Stainless Steel Rods (1.4571)



Technical Data

Screw-in plug:	PP or 1.4571 stainless steel
Electrode rods:	1.4571 stainless steel, with partial insulation of polyolefin if desired
Terminal housing:	PBT, 1 to 3 rods: 55 mm dia. 4 to 5 rods: 88 mm dia.
Protection (EN 60529):	IP 65
Ambient temperature:	-20 to +60° C
Medium temperature:	-5 to 115° C
Max. operating pressure:	6 bar at +20° C 1 bar at +100° C (greater pressures upon request)
Min. length, L1 ... L2:	45 mm
Max. length, L1 ... L5:	1500 mm
Installation:	From top or side, max. inclination: 45°, do not install horizontally!

Safety Precautions

- Installation, initial start-up and maintenance may only be performed by trained personnel! All applicable European and national regulations regarding installation of electrical equipment must be adhered to.
- The device may only be operated under the conditions specified in the operating instructions!

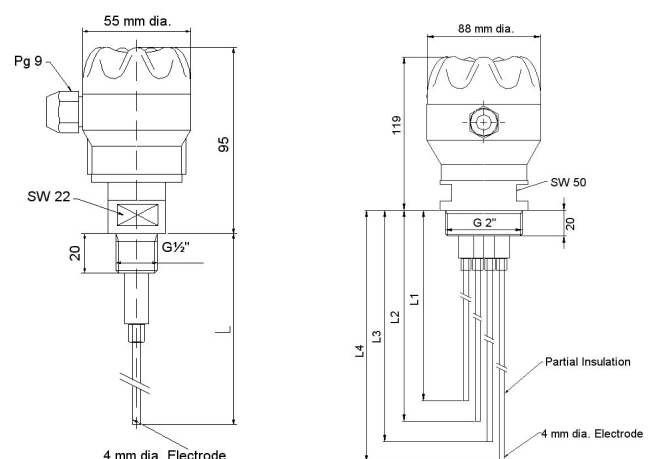
Functions Description

For use as a limit monitor in combination with the **ES1S Electrode Controller** (see operating instructions no. SU0070) for electrically conductive liquids to which 1.4571 stainless steel is resistant

Note: Conductive limit monitors are not suitable for liquids which contain oil or fat, or in which electrically conductive or insulating deposits may be formed.

Maintenance

The device is maintenance-free if used for its intended purpose.



IER Meß- und Regeltechnik
Eberhard Henkel GmbH
Innstrasse 2
68199 Mannheim, Germany

Phone: +49 (0)621 84224-0 • Fax: +49 (0)621 84224-90
e-mail: info@IER.de • Internet: www.IER.de