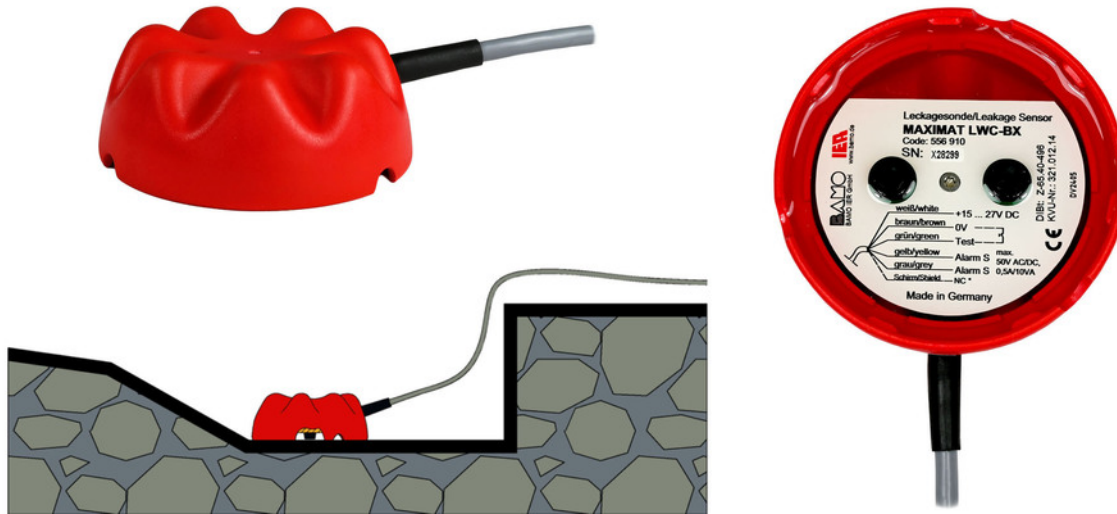


FLOOR LEAKAGE SENSOR MAXIMAT LWC BX



SAFETY INSTRUCTIONS

- Installation, initial start-up and maintenance may only be performed by trained personnel!
- The device may only be connected to supply power compliant to the specifications included in the technical data and on the serial plate!
- The device must be disconnected from all sources of power during installation and maintenance work!
- The device may only be operated under the conditions specified in the operating instructions!

DESCRIPTION

Leakage monitoring in catch basin and rooms in accordance with the Water Resources Act (WHG).
For facilities for storing, filling and transferring water-polluting, non-flammable media.

APPLICATION AREA

The leakage probes are only suitable for conductive media whose specific reactance is $<5\text{k}\Omega$ or whose coupling capacitance to ground $>50\text{pF}$.
The media must not form insulating or conductive deposits.
The leak probe is mounted directly on the bottom of basins or rooms.
The probe must be mounted on the floor/trough of the monitoring space (e.g. at the lowest point) in such a way that in the event of a leak, even a small amount of the escaping medium safely covers the sensor electrodes and thus creates an electrically conductive connection.

TECHNICAL DATA

Operating principle	Capacitive-high frequency, fail-safe
Operating/ambient temperature	-20...+60 °C
Operating pressure	Atmospheric, 0.8...1.1 bar
Housing	PBT glass fiber reinforced
Protection class	IP67 (not suitable for permanent immersion)
Supply voltage	15...27V DC
Connection power	$<1\text{W}$
Cable	6m PVC cable, 5x 0.34mm ²
Cable length measuring circuit	Max. 300m, min. wire cross-section 0.5mm ²
Outputs	Potential-free reed relay contact for low voltage (contact opens on alarm) Max. 50V AC/DC, max. 0.5A, max. 10VA, e.g. for operation of coupling relay or PLC, signal device TC4 or supply isolator CST Two-wire alarm evaluation with transmitter MAXIMAT SHR C

Important: Simultaneous operation of both outputs is not intended!

BAMO INTERNATIONAL

22, Rue de la Voie des Bans · Z.I. de la gare · 95100 ARGENTEUIL
Tel +33 (0)1 30 25 83 20 Web www.bamo.eu
Fax +33 (0)1 34 10 16 05 E-mail export@bamo.fr

**FLOOR LEAKAGE SENSOR
MAXIMAT LWC BX**

07-11-2024

M-556.08-EN-AI

LEV

556-08/1

TECHNICAL DATA (continuation)

Additional function	Connection of an external test button (potential-free contact) with which the entire MAXIMAT LWC-BX electronics, the wiring and the signalling/control device can be checked.
Input	For external test button (connection to brown and green wire) Test button contact closed: Test alarm is triggered

Note: The function check by the external test button is no substitute for the regular function checks required by the country!

CE mark: The device fulfills the legal requirements of applicable EU-guidelines.

COUNTRY-SPECIFIC CERTIFICATIONS

- GERMANY - General technical approval in accordance with the Water Resources Law (WHG)
- SWITZERLAND - Type examination certificate for water protection suitability according to the Conference of Heads of Environmental Protection Offices (KvU)
- BELGIUM - Model certificate of approval in accordance with Flemish environmental authorisation regulations (VLAREM II)

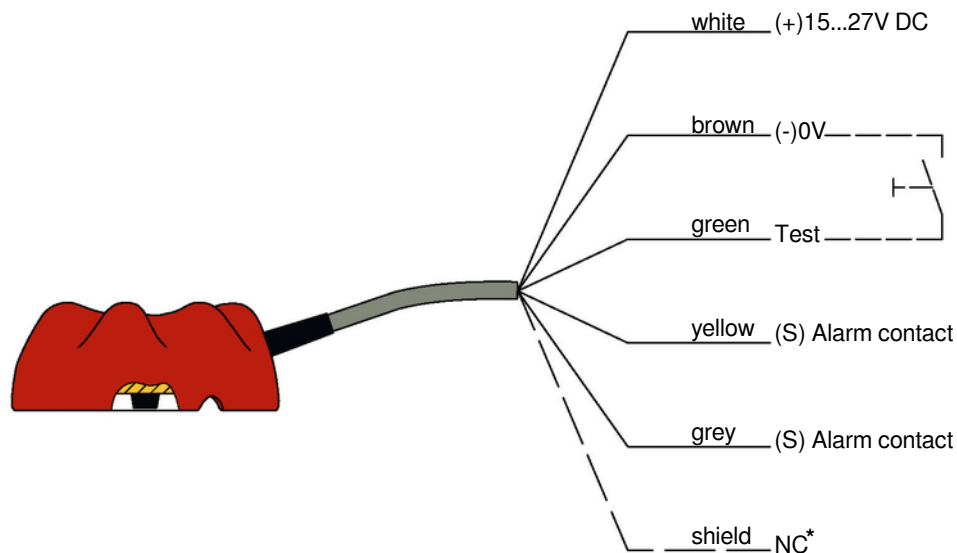
Depending on the country requirements, the corresponding documentation is enclosed.

MAINTENANCE

When used as intended, the device is maintenance-free.

Please note: In case of leakage, the floor leakage sensor should be removed from the medium as soon as possible.
It must be effectively cleaned (rinsed) and may only be reintroduced into the dry collection device after a complete function test.

WIRE ASSIGNMENT OF THE CONNECTION CABLE



(*) The cable shield must only be connected to a low-interference operating ground if increased EMC interference signals are to be expected.

BAMO INTERNATIONAL

22, Rue de la Voie des Bans · Z.I. de la gare · 95100 ARGENTEUIL

Tel +33 (0)1 30 25 83 20 Web www.bamo.eu

Fax +33 (0)1 34 10 16 05 E-mail export@bamo.fr

**FLOOR LEAKAGE SENSOR
MAXIMAT LWC BX**

07-11-2024

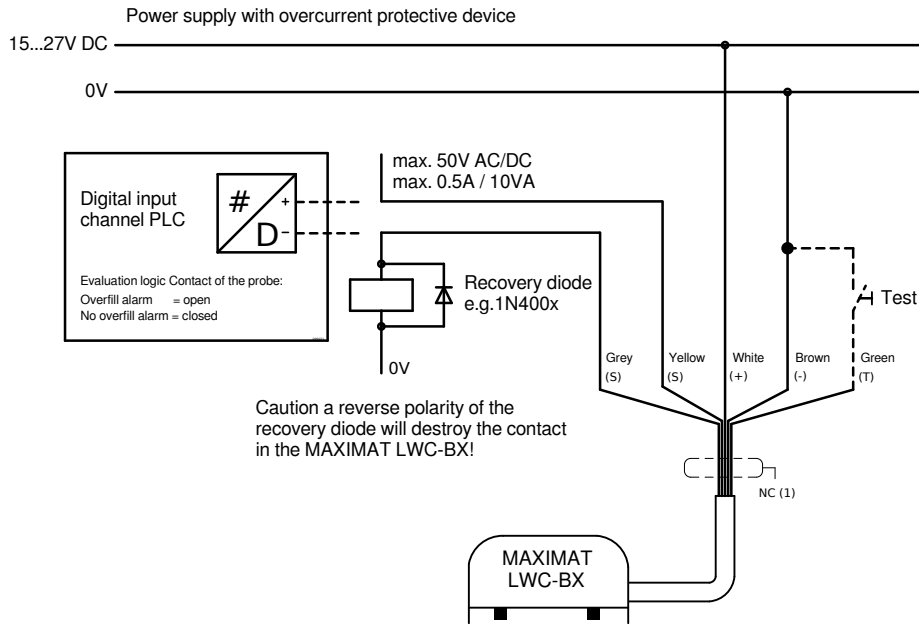
M-556.08-EN-AI

LEV

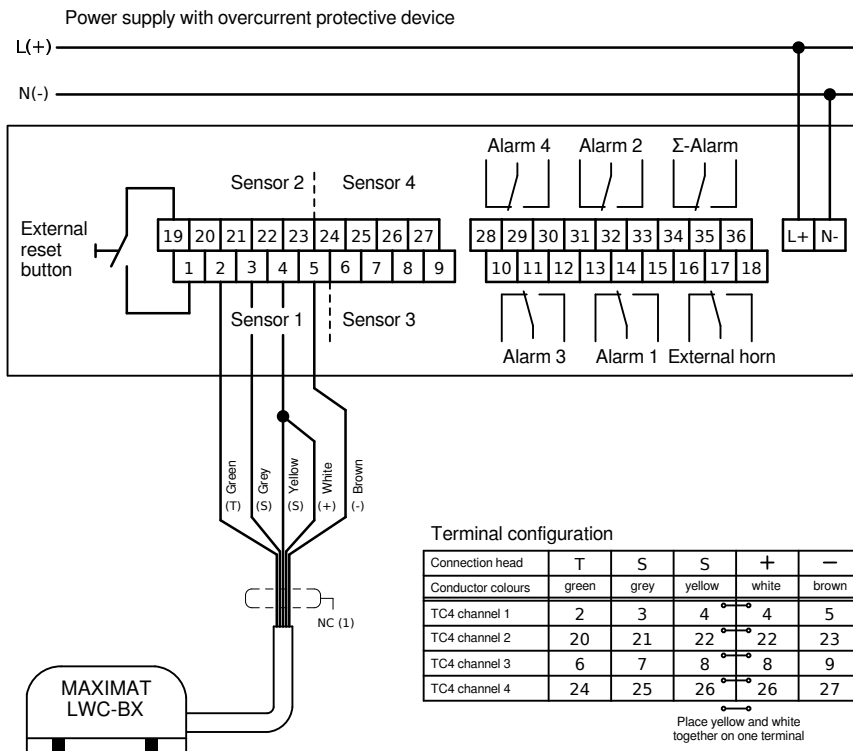
556-08/2

ELECTRICAL CONNECTION

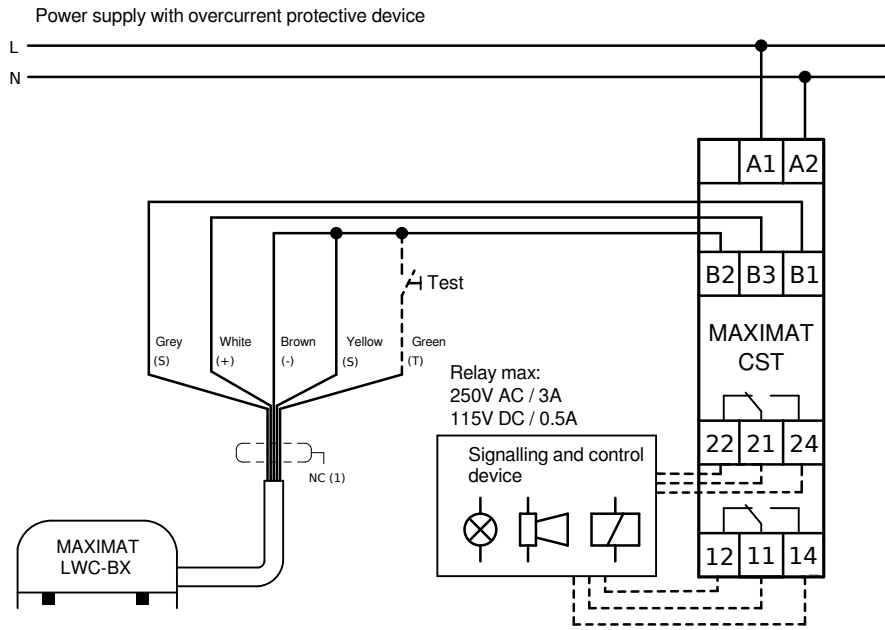
Coupling relay or PLC



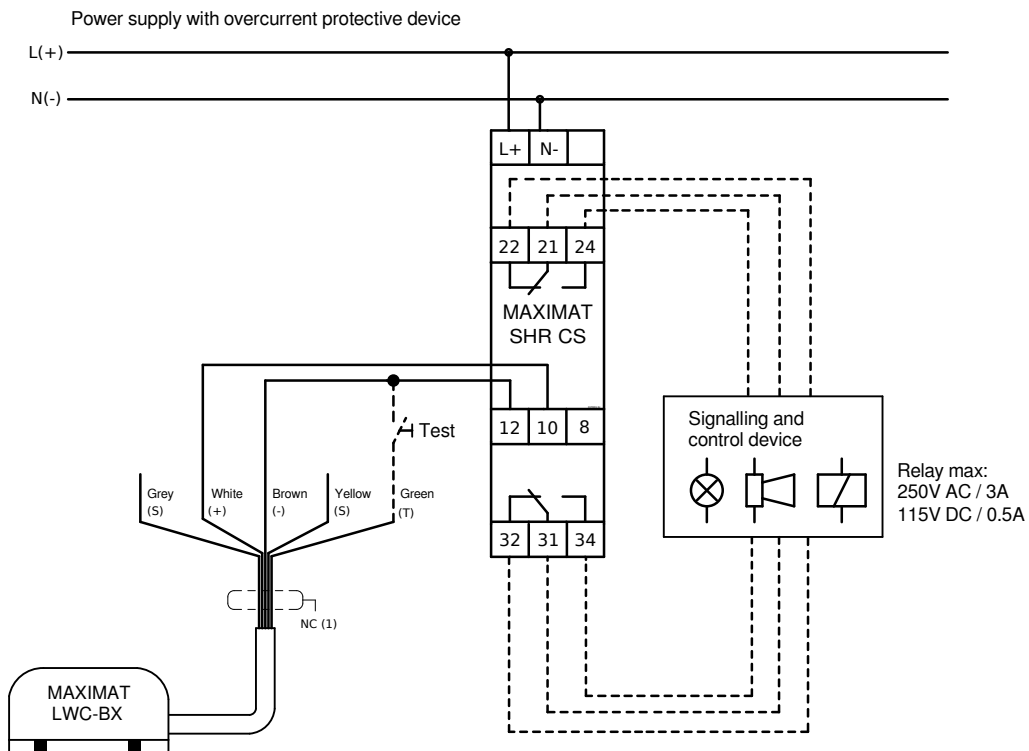
Signalling device MAXIMAT TC4



Supply separator CST



External transducer MAXIMAT SHR CS



(*) The cable shield must only be connected to a low-interference operating ground if increased EMC interference signals are to be expected.