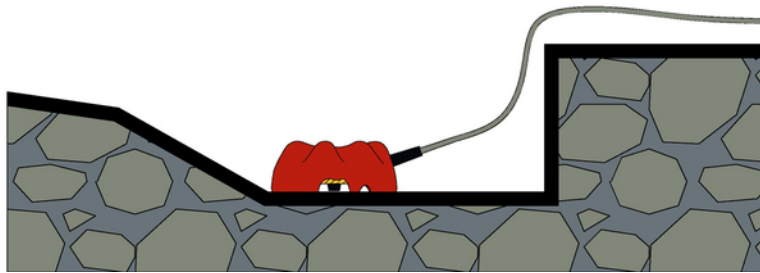


BOTTOM ELECTRODE MAXIMAT LWC BX



SAFETY INSTRUCTIONS

- Installation, commissioning and maintenance may only be performed by qualified personnel!
- Only connect the device to the voltage specified in the technical data or on the type plate!
- Disconnect the device from the power supply during installation / maintenance work!
- Only operate the device under the conditions defined in the operating instructions!

DESCRIPTION

Leakage monitoring in collecting trays and rooms in accordance with the Water Resources Act (WHG).
For facilities for storing, filling and transferring water-polluting, non-flammable media.

APPLICATION AREA

The leakage probes are only suitable for conductive media whose specific reactance is $<5k\Omega$ or whose coupling capacitance to ground $>50pF$.
The media must not form insulating or conductive deposits.
The leak probe is mounted directly on the bottom of trays or rooms.
The probe must be mounted on the floor/tub of the interstitial space (e.g. at the lowest point) in such a way that, in the event of a leak, even a small amount of the leaking medium safely covers the sensor electrodes and thus electrically connects them.

TECHNICAL DATA

Operating principle	Capacitive-high frequency, fail-safe
Operating/ambient temperature	-20...+60 °C
Operating pressure	Atmospheric, 0.8...1.1bar
Housing	PBT glass fiber reinforced
Protection class	IP67 (not suitable for permanent immersion)
Supply voltage	15...27V DC
Connection power	<1W
Cable	6m PVC cable, 5x 0.34mm ²
Cable length measuring circuit	Max. 300m, min. wire cross-section 0.5mm ²
Outputs	Floating reed relay contact for extra-low voltage (contact opens on alarm) Max. 50V AC/DC, max. 0.5A, max. 10VA, e.g. for operation of coupling relay or PLC, signal device TC4 or supply isolator CST Two-wire alarm evaluation with transmitter MAXIMAT SHR C

Important: Simultaneous operation of both outputs is not intended!

BAMO INTERNATIONAL

22, Rue de la Voie des Bans · Z.I. de la gare · 95100 ARGENTEUIL
Tel +33 (0)1 30 25 83 20 Web www.bamo.eu
Fax +33 (0)1 34 10 16 05 E-mail export@bamo.fr

**BOTTOM ELECTRODE
MAXIMAT LWC BX**

30-05-2023

M-556.08-EN-AD

LEV

556-08/1

TECHNICAL DATA (continuation)

Additional function	Connection of an external test button (potential-free contact) with which the entire MAXIMAT LWC BX electronics, the wiring and the signaling/control device can be checked
Input	For external test button (connection to brown and green wire) Test button contact closed: Test alarm is triggered

Note: The function check by the external test button is no substitute for the regular function checks required by the country!

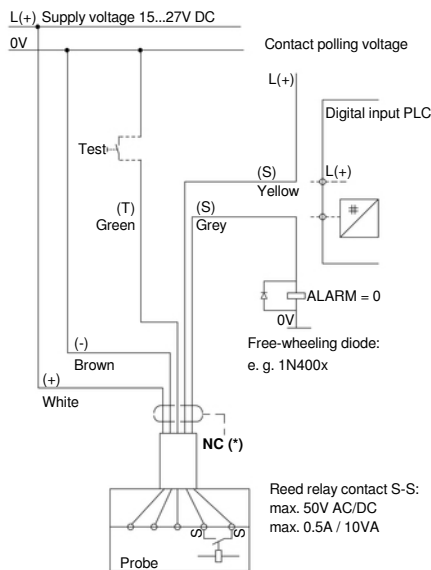
CE mark: The device fulfills the legal requirements of the applicable EU directives.

MAINTENANCE

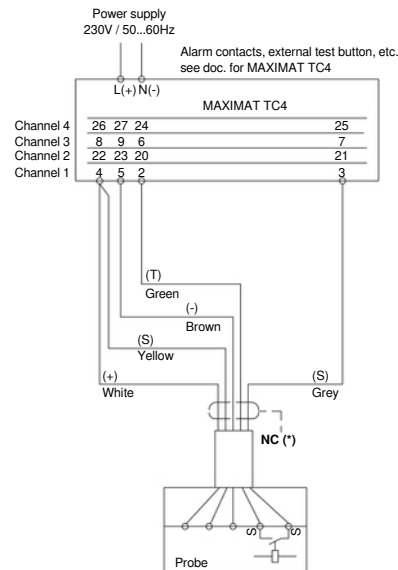
When used as intended, the device is maintenance-free.

Please note: In case of leakage, the bottom electrode should be removed from the medium as soon as possible.
It must be effectively cleaned (rinsed) and may only be reintroduced into the dry collection device after a complete function test.

ELECTRICAL CONNECTION



Coupling relay or PLC



Signaling device MAXIMAT TC4

BAMO INTERNATIONAL

22, Rue de la Voie des Bans · Z.I. de la gare · 95100 ARGENTEUIL

Tel +33 (0)1 30 25 83 20 Web www.bamo.eu

Fax +33 (0)1 34 10 16 05 E-mail export@bamo.fr

**BOTTOM ELECTRODE
MAXIMAT LWC BX**

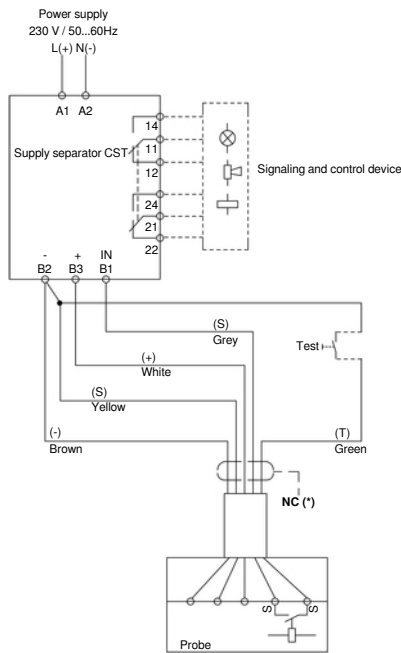
30-05-2023

M-556.08-EN-AD

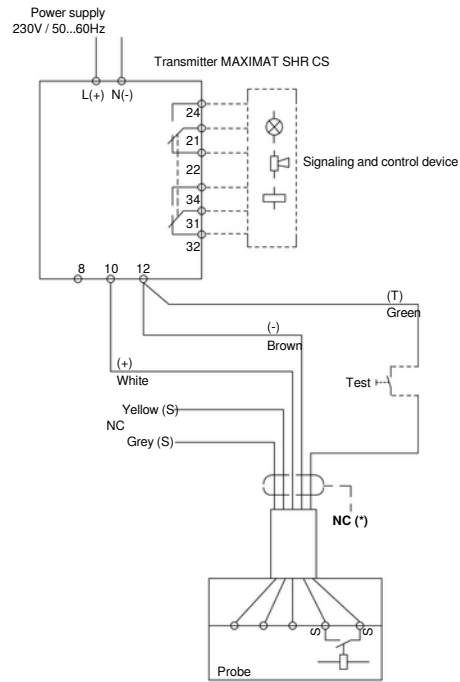
LEV

556-08/2

ELECTRICAL CONNECTION (continuation)



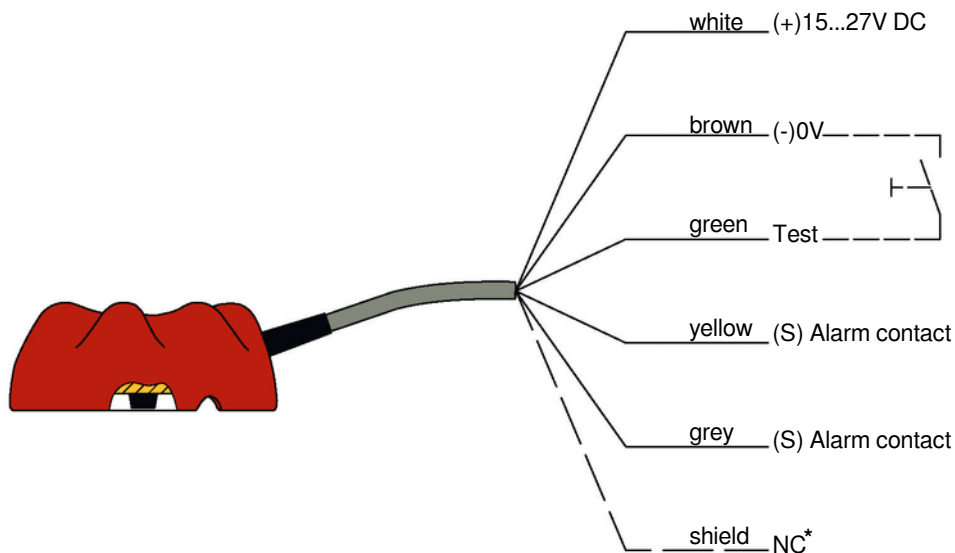
Supply separator CST



**External transmitter
MAXIMAT SHR CS**

(*) The cable shield must only be connected to a low-interference operating ground if increased EMC interference signals are to be expected.

WIRE ASSIGNMENT OF THE CONNECTION CABLE



(*) The cable shield must only be connected to a low-interference operating ground if increased EMC interference signals are to be expected.

BAMO INTERNATIONAL

22, Rue de la Voie des Bans · Z.I. de la gare · 95100 ARGENTEUIL

Tel +33 (0)1 30 25 83 20 Web www.bamo.eu

Fax +33 (0)1 34 10 16 05 E-mail export@bamo.fr

**BOTTOM ELECTRODE
MAXIMAT LWC BX**

30-05-2023

M-556.08-EN-AD

LEV

556-08/3