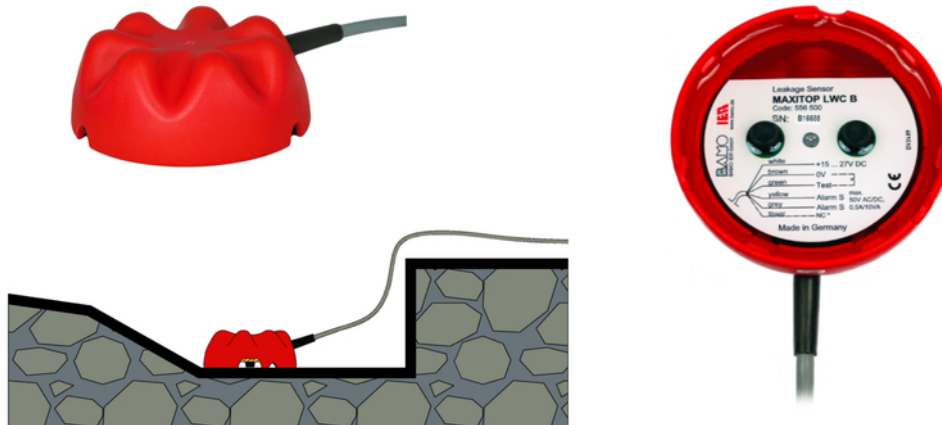


# BOTTOM ELECTRODE MAXITOP LWC B



## SAFETY INSTRUCTIONS

- Installation, commissioning and maintenance may only be performed by qualified personnel!
- Only connect the device to the voltage specified in the technical data or on the type plate!
- Disconnect the device from the power supply during installation / maintenance work!
- Only operate the device under the conditions defined in the operating instructions!

## DESCRIPTION

Leakage monitoring in collecting trays and rooms.  
For systems to store, fill and transfer non-flammable media.

## APPLICATION AREA

The leakage probes are only suitable for conductive media whose specific reactance is  $<5\text{k}\Omega$  or whose coupling capacitance to ground  $>50\text{pF}$ . The media must not form insulating or conductive deposits.  
The leak probe is mounted directly on the bottom of trays or rooms.  
The probe must be mounted on the floor/tub of the interstitial space (e.g. at the lowest point) in such a way that, in the event of a leak, even a small amount of the leaking medium safely covers the sensor electrodes and thus electrically connects them.

## TECHNICAL DATA

Operating principle	Capacitive-high frequency, fail-safe
Ambient temperature	-20...+60 °C
Operating pressure	Atmospheric, 0.8...1.1 bar
Housing	PBT glass fiber reinforced
Protection class	IP67 (not suitable for permanent immersion)
Supply voltage	15...27V DC
Connection power	$<1\text{W}$
Cable	6m PVC cable, $5 \times 0.34\text{mm}^2$
Cable length measuring circuit	Max. 300m, min. wire cross-section $0.5\text{mm}^2$
Outputs	Floating reed relay contact for extra-low voltage (contact opens on alarm) Max. 50V AC/DC, max. 0.5A, max. 10VA, e.g. for operation of coupling relay or PLC, signal device TC4 or Supply isolator CST Two-wire alarm evaluation with transmitter MAXIMAT SHR C

**Important: Simultaneous operation of both outputs is not intended!**

**BAMO** INTERNATIONAL

22, Rue de la Voie des Bans · Z.I. de la gare · 95100 ARGENTEUIL

Tel +33 (0)1 30 25 83 20 Web [www.bamo.eu](http://www.bamo.eu)

Fax +33 (0)1 34 10 16 05 E-mail [export@bamo.fr](mailto:export@bamo.fr)

**BOTTOM ELECTRODE  
MAXITOP LWC B**

**LEV**

**556-05/1**

10-05-2023

M-556.05-EN-AB

## TECHNICAL DATA (continuation)

Additional function	Connection of an external test button (potential-free contact) with which the entire MAXITOP LWC B electronics, the wiring and the signaling/control device can be checked
Input	For external test button (connection to brown and green wire) Test button contact closed: Test alarm is triggered

**Note: The function check by the external test button is no substitute for the regular function checks required by the country!**

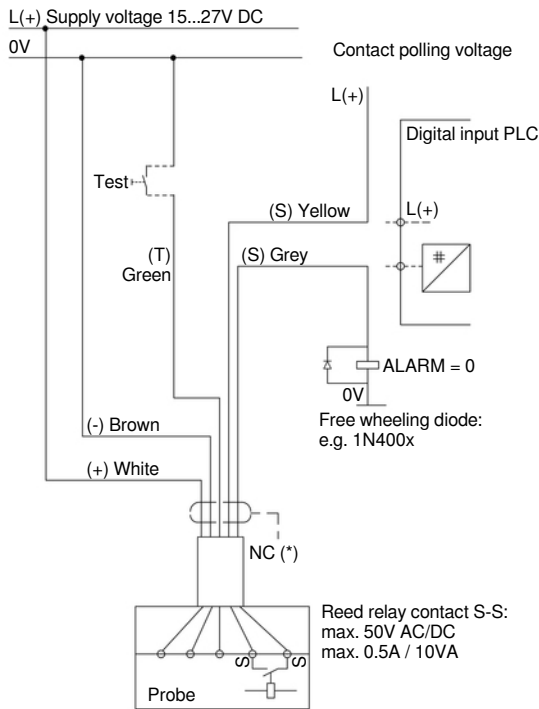
**CE mark: The device fulfills the legal requirements of the applicable EU directives**

## MAINTENANCE

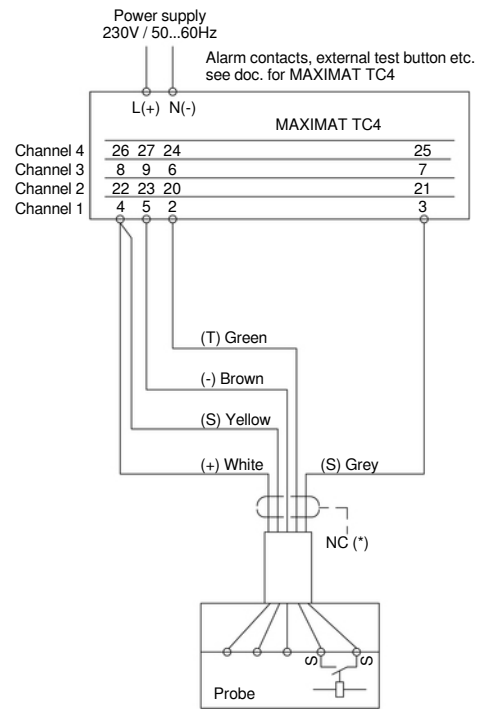
When used as intended, the device is maintenance-free.

**Please note: In case of leakage, the bottom electrode should be removed from the medium as soon as possible.**  
It must be effectively cleaned (rinsed) and may only be reintroduced into the dry collection device after a complete function test.

## ELECTRICAL CONNECTION



**Coupling relay or PLC**



**Signaling device MAXIMAT TC4**

**BAMO INTERNATIONAL**

22, Rue de la Voie des Bans · Z.I. de la gare · 95100 ARGENTEUIL  
Tel +33 (0)1 30 25 83 20 Web [www.bamo.eu](http://www.bamo.eu)  
Fax +33 (0)1 34 10 16 05 E-mail [export@bamo.fr](mailto:export@bamo.fr)

**BOTTOM ELECTRODE  
MAXITOP LWC B**

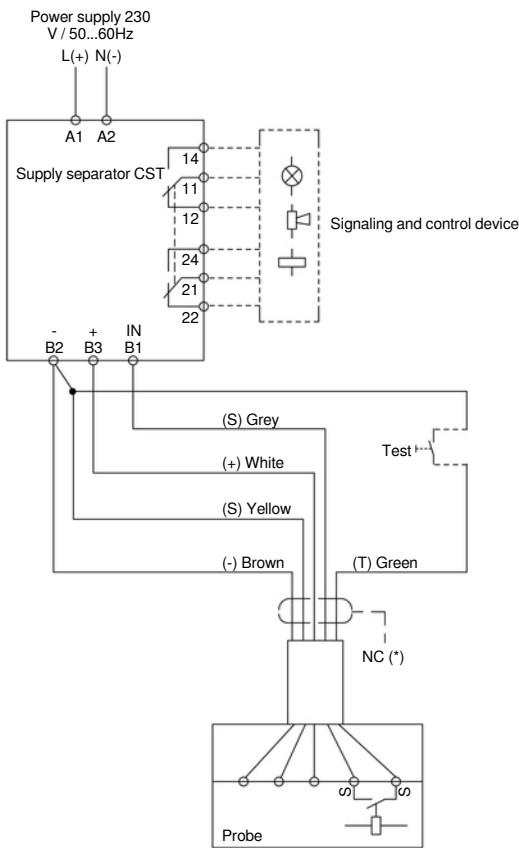
10-05-2023

M-556.05-EN-AB

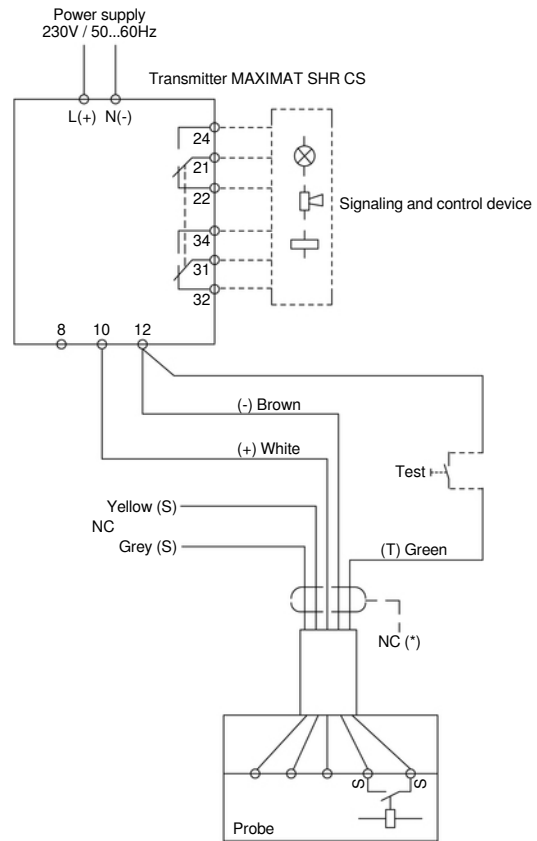
**LEV**

**556-05/2**

## ELECTRICAL CONNECTION (continuation)



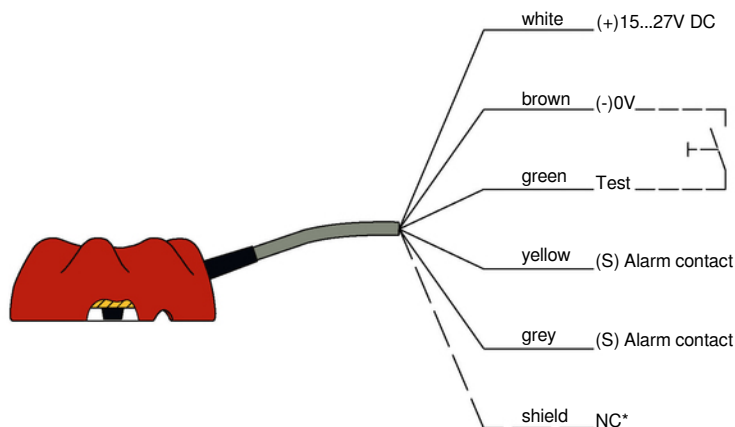
**Supply separator CST**



**External transmitter  
MAXIMAT SHR CS**

(\* ) The cable shield must only be connected to a low-interference operating ground if increased EMC interference signals are to be expected.

## WIRE ASSIGNMENT OF THE CONNECTION CABLE



(\* ) The cable shield must only be connected to a low-interference operating ground if increased EMC interference signals are to be expected.

**BAMO** INTERNATIONAL

22, Rue de la Voie des Bans · Z.I. de la gare · 95100 ARGENTEUIL  
Tel +33 (0)1 30 25 83 20 Web [www.bamo.eu](http://www.bamo.eu)  
Fax +33 (0)1 34 10 16 05 E-mail [export@bamo.fr](mailto:export@bamo.fr)

**BOTTOM ELECTRODE  
MAXITOP LWC B**

10-05-2023

M-556.05-EN-AB

**LEV**

**556-05/3**