

SIGNALING DEVICE MAXIMAT TC4



SAFETY INSTRUCTIONS

- Installation, commissioning and maintenance may only be performed by qualified personnel!
- Only connect the device to the voltage specified in the technical data or on the type label!
- Disconnect the device from the power supply during installation/maintenance work!
- Only operate the device under the conditions defined in the operating instructions!

DESCRIPTION

The MAXIMAT TC4 is a signaling device for up to 4 overflow / leakage detectors of the MAXIMAT C... series, with visual and audible signal according to the approval principles for overflow prevention devices (ZG-ÜS).
If an alarm signal is issued by one of the overflow / leakage detectors, this can be signaled visually and/or acoustically by the MAXIMAT TC4.

TECHNICAL DATA

Supply voltage	230V AC 50...60Hz, optionally 24V DC +/- 20%.
Power consumption	approx. 6VA / approx. 6W
Ambient temperature	-20...+60 °C
Supply to the detectors	15V DC, short-circuit proof
Inputs	4x overflow / leakage probes 1x external reset contact
Outputs	4x potential-free changeover contact assigned to the individual probes 1x potential-free changeover contact for collective alert 1x potential-free changeover contact for external horn

Note: The functional test is not a substitute for the regular operational test prescribed in the ZG-ÜS, which must be performed at least once a year.

Contact load output relay	250V AC / 115V DC 500VA / 3A
Connection terminals	max. wire cross section 2.5mm ²
Signaling	4x LED (multicolor) Red blinking: Alarm unacknowledged Red continuous light: Alarm acknowledged Yellow blinking: Probe defective Yellow continuous light: Test running Green continuous light: Probe in operation LED dark: no probe connected 1x piezo signal transmitter >70dB (A)/1m 1x extra-bright flash LED for collective alert
Controls	Reset button for alarm acknowledgement Test button for system test
Protection class	IP65 according to EN 60 529

CE marking: The device meets the legal requirements of the applicable EU directives

BAMO INTERNATIONAL

22, Rue de la Voie des Bans · Z.I. de la gare · 95100 ARGENTEUIL

Tel +33 (0)1 30 25 83 20 Web www.bamo.eu

Fax +33 (0)1 34 10 16 05 E-mail export@bamo.fr

SIGNALING DEVICE
MAXIMAT TC4

LEV

555-07 /1

11-05-2023

M-555.07-EN-AB

TERMINAL ASSIGNMENT

Terminal number				Function
L (+)				Mains 230V AC / +24V DC supply voltage
N (-)				Mains 230V AC / 0V DC supply voltage
1 / 19				External test button (normally open contact, potential-free)
Channel 1	Channel 2	Channel 3	Channel 4	Alarm channels
2	20	6	24	Test signal for probes with T-connection
3	21	7	25	Alarm input
4	22	8	26	Probe supply voltage
5	23	9	27	0V Reference potential
13	31	10	28	Output relay NC contact: Alarm
14	32	11	29	Output relay root: Alarm
15	33	12	30	Output relay NO contact: Alarm
16				Output relay NC contact: external horn
17				Output relay root: external horn
18				Output relay NO contact: external horn
34				Output relay NC contact: collective alert
35				Root output relay: collective alert
36				Output relay NO contact: collective alert

Note:

The alarm output relays channel 1-4 and the sum alarm relay are energized as long as no alarm is present (closed-circuit current behavior). In the event of an overflow/leakage alarm and failure of the mains voltage, these relays drop out.

In all the following connection diagrams, the relays are shown in a de-energized state (mains voltage = OFF) in accordance with the standards! The relay for the external horn is energized in case of alarm and de-energized after RESET.

MOUNTING AND COMMISSIONING

- Mount signaling device on wall
- Connect the signaling device properly to the power supply (230V AC or 24V DC according to the type label)
- Connect the sensors according to the wiring diagram
- Switch on supply voltage
- Signaling device performs self-test (lamp test of all LEDs and piezo signal generator)
- connected probes are checked = LEDs light up yellow for probes with test connection
- successful test = green continuous light
- Faulty probes = yellow blinking
- Channels that are not used remain dark
- When switching on for the first time, the electronics "remembers" the following in an inventory list:
Probe connected to the input: yes/no -> a signal tone is emitted 1x during the test
respective probe a T-version: yes/no -> a signal tone is emitted 2x during the test
(Factory setting = no probe connected)
- This allows each system test to determine whether the respective probes are working properly
- If a new probe is connected, it will be added to the inventory list when the supply voltage is switched on again.
- If a probe is disconnected, the probe is logged out of the inventory list and the corresponding LED is switched off as follows: Press and hold the reset button for at least 5 seconds.
If a probe is disconnected and not logged out of the inventory list, it is reported as faulty (yellow blinking).

Note:

All probes must be tested for function at the time of commissioning and then at least once a year in accordance with the regulations of the General Building Inspectorate Approval!

Note on the test button for system test:

The button is used to check the electronics and wiring of the entire system.

However, no overflow/leakage alarm is triggered which would, for example, shut down the production plant.

Troubleshooting:

In spite of switched on supply voltage all LEDs are dark and all relays dropped out:

- Fine-wire fuse defective (on the lower circuit board)
- Short circuit on one or more probe cables (between 0V and 24V);
→ the electronic short-circuit fuse has switched off the device, a fast "ticking" can be heard from the housing (only for the 230V AC device!).

BAMO INTERNATIONAL

22, Rue de la Voie des Bans · Z.I. de la gare · 95100 ARGENTEUIL

Tel +33 (0)1 30 25 83 20 Web www.bamo.eu

Fax +33 (0)1 34 10 16 05 E-mail export@bamo.fr

**SIGNALING DEVICE
MAXIMAT TC4**

LEV

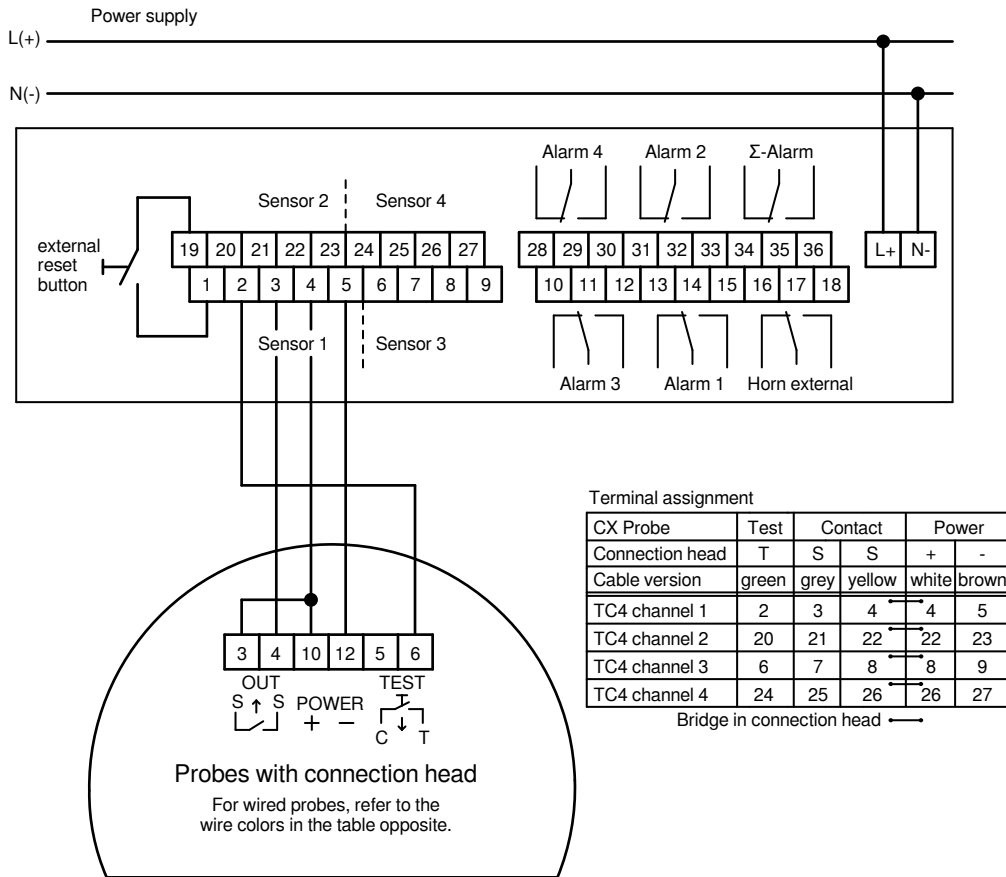
555-07 /2

11-05-2023

M-555.07-EN-AB

ELECTRICAL CONNECTION

Connecting MAXIMAT CX and LWC BX probes to Maximat TC4 signaling device



Remark:

For probes with connection head:

Use cable with 4 cores and bridge the POWER+ terminal in the connection head with terminal (S).

For probes without connection head (cable version):

Connect the yellow and white wires together to terminal 4 or 22 / 8 / 26.

BAMO INTERNATIONAL

22, Rue de la Voie des Bans · Z.I. de la gare · 95100 ARGENTEUIL

Tel +33 (0)1 30 25 83 20 Web www.bamo.eu

Fax +33 (0)1 34 10 16 05 E-mail export@bamo.fr

SIGNALING DEVICE
MAXIMAT TC4

LEV

555-07/3

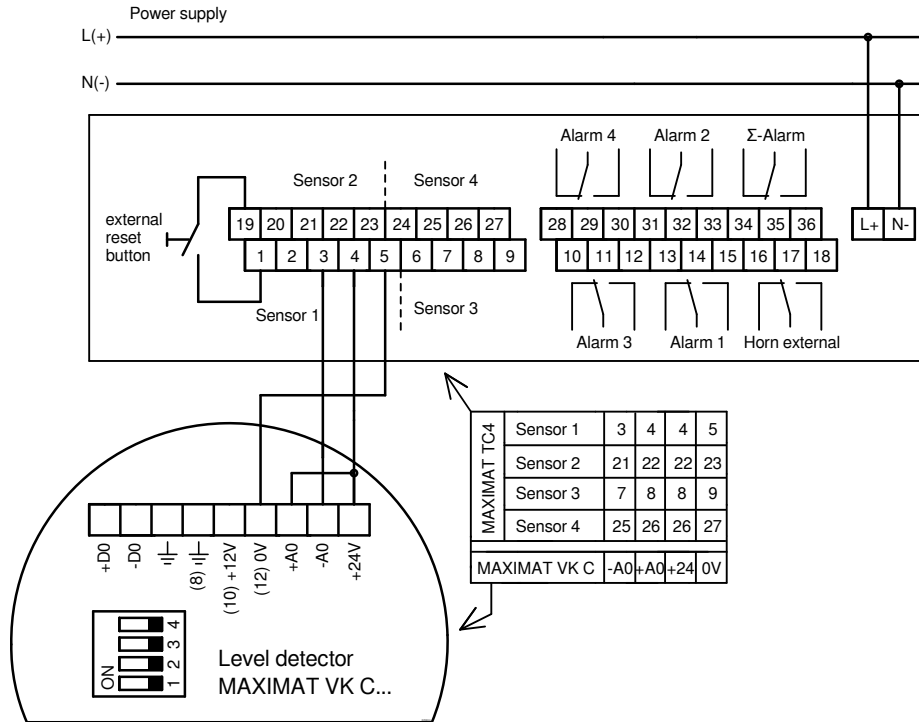
11-05-2023

M-555.07-EN-AB

ELECTRICAL CONNECTION (continuation)

Connecting MAXIMAT VK C probe to MAXIMAT TC4 signal device

Test: These probes do not have a test port.



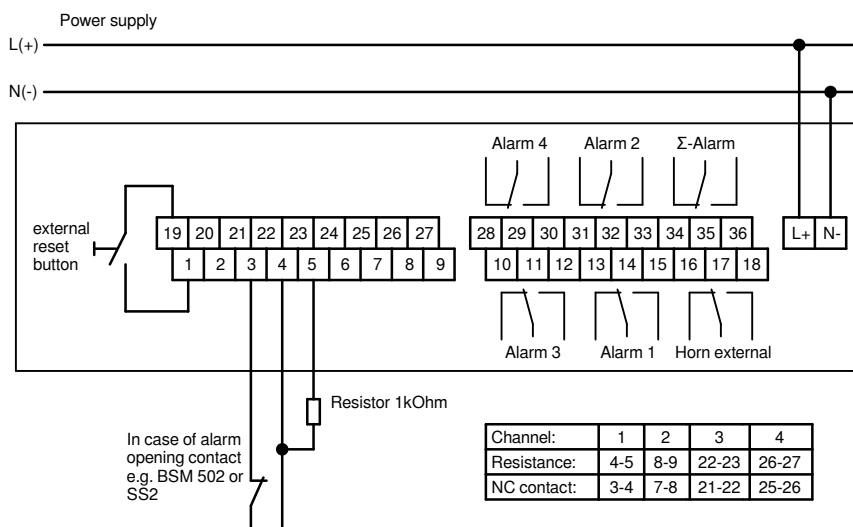
Connection potential-free break contact to Maximat TC4 signal device

Potential-free NC contacts ^{*)}, such as those of a float switches or those of the BSM bistable switch, can also be connected to the MAXIMAT TC4 signalling device.

The connection is made according to the plan below. In addition, a 1kΩ resistor must be connected according to the table.

^{*)} NC contact: Normal operation = contact closed, alarm = contact open

Test: These contacts cannot be checked with the system test.



BAMO INTERNATIONAL

22, Rue de la Voie des Bans · Z.I. de la gare · 95100 ARGENTEUIL

Tel +33 (0)1 30 25 83 20 Web www.bamo.eu

Fax +33 (0)1 34 10 16 05 E-mail export@bamo.fr

SIGNALING DEVICE MAXIMAT TC4

11-05-2023

M-555.07-EN-AB

LEV

555-07 /4