

Float switches combination SKV



SAFETY INSTRUCTIONS

- Installation, commissioning and servicing must be performed by qualified staff only.
- Only connect the unit to the voltage specified in the technical data and on the label.
- Never dismantle the cable sealing coupling from the float body.
- Disconnect the unit from the power supply during installation and maintenance task.
- The device must only be operated under the conditions defined in the user manual.
- **Mandatory: Or earth the metal container, or use an extra-low voltage, or a contact protection relay (low voltage, low current).**

DESCRIPTION

The float switches combination SKV is a simple method to control multiple level with one system. Each float switch is fixed on the stem with a clamp to obtain the desired height of the trigger point. Each float follows the level of the liquid. The built-in contact, switches approx. 5° below and approx. 15° above the fixed point. The clamps can be moved. The head with its fitting of BSP-M 2" accepts up to 5 float switches (5 trigger points).

Caution:

SKV are suitable only in tanks without agitator neither strong flows nor turbulences.

TECHNICAL FEATURES

Materials:

Float and cable coupling:	HD-PE
Head fitting and stem:	PVC
Degree of protection	IP68
Cable clamps:	PP
Head housing:	PBT glass fibre reinforced, IP65
Cable:	Or TPK, or PVC lubricating oil resistant, PES sheathed acid resistant
Integrated switch:	Micro switch potential-free, change-over (gold contacts)
Voltage	4 V - 250 V AC; 4 - 30 V DC
Current:	1 mA ... 3A
Operating temperature:	+1 ... +60 °C
Maximum length:	2000 mm
Permissible overpressure	0.5 bar
Liquid density:	Cable type 2, 5 & 7: $\rho \geq 1 \text{ kg/dm}^3$ Cable type 3: $\rho \geq 0.9 \text{ kg/dm}^3$
Cable chemical compatibilities:	TPK: Water, solutions with low-concentration of alkalis or acids PES: Acidic solutions (more details on request) PVC: Lubricating oil (mineral oils) resistant

EC Conformity: The instrument meets the legal requirements of the current European Directives.

BAMO INTERNATIONAL

22, Rue de la Voie des Bans · Z.I. de la gare · 95100 ARGENTEUIL

Tel +33 (0)1 30 25 83 20 Web www.bamo.eu

Fax +33 (0)1 34 10 16 05 E-mail export@bamo.fr

Float switches combination
SKV

LEV

520-05/1

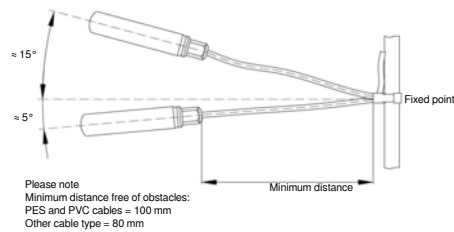
24-02-2022

M-520.05-EN-AC

SWITCHING ANGLE

The float switch cables are fixed to a vertical PVC stem with clamps.
Each float follows the level of the liquid.

Note
The exact switching point depends on the length of the cable between the fixed point and the coupling on the float, as well as of the speed for the level is changing.



ASSEMBLY

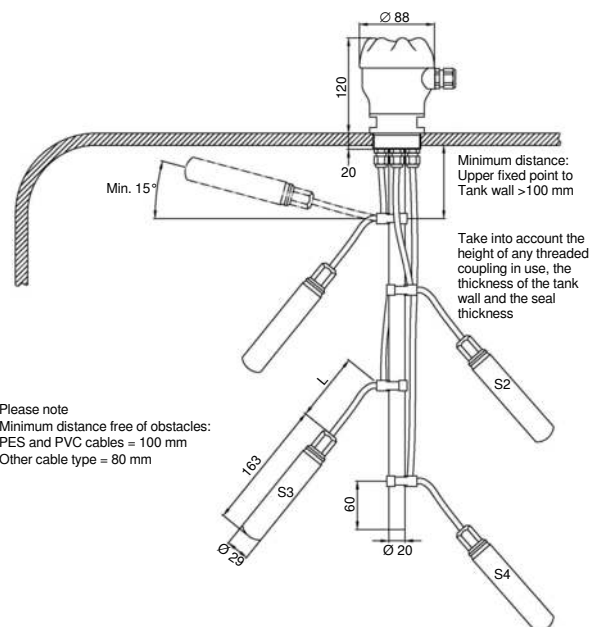
- Always mount vertically
- Floats must be able to move freely
- Floats must not touch the tank wall

Setting the trigger points:

The contact switches at approximately 5° below and 15° above the fixed point.
Each float switch has a cable reserve of approx. 50 mm inside the head housing

- Move cable clamps by hand
- Note the switching angle (see drawing above)
- To use the cable reserve, loose first the cable gland below the head housing
- Pull the cable down
- Then tighten the cable gland.

INSTALLATION



BAMO INTERNATIONAL

22, Rue de la Voie des Bans · Z.I. de la gare · 95100 ARGENTEUIL

Tel +33 (0)1 30 25 83 20 Web www.bamo.eu

Fax +33 (0)1 34 10 16 05 E-mail export@bamo.fr

Float switches combination
SKV

24-02-2022

M-520.05-EN-AC

LEV

520-05/2

ELECTRICAL CONNECTIONS

Terminals in the head housing

Note: The upper float is always the first trigger point.



Contact status shown for "float down"

