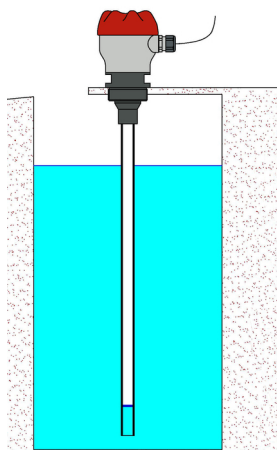


# Hydrostatic level controller, 4 switching points MEMPRO S6.6



MEMPRO S6.6 (PVC tube version)



Example

- 4 Adjustable relay outputs, N.O. or N.C.
- The sensor is not in contact with liquid
- Adjustable hysteresis and delay time for each channel
- Automatic calibration for max. level
- Integrated timer for the venting function

## APPLICATIONS

- Universal level control for pressureless containers
- For aggressive fluids
- Storage container monitoring
- Batching operations
- And more ...

## DESCRIPTION

The MEMPRO S6.6 works according to the hydrostatic pressure measuring principle. The output signal corresponds to the pressure of the atmosphere inside the measuring tube.

The ceramic sensor is not touched by the liquid. On site, with the automatic calibration function, the instrument is paired to the tank size in a matter of minutes. Four trigger points can be assigned to level heights through the setting menu. All switching points have an adjustable delay time, an adjustable hysteresis and a switchable N.C./ N.O. function.

For a clogging or degassing liquid, or when the temperature fluctuates, the MEMPRO must be connected to a venting device (MEMPRO BL). The timer for venting function is integrated in the MEMPRO.

## TECHNICAL FEATURES

Power supply	24 V DC (9 ... 36 V)
Consumption	Max. 1 W
Ambient temperature	-20 ... +60 °C (MEMPRO S6.6) -15 ... +60 °C (MEMPRO C S6.6)
Liquid temperature	0... 60 °C, PVC version (MEMPRO S6.6) 0... 90 °C, PP version (MEMPRO S6.6) 0... 90 °C, AISI 316 version (MEMPRO C S6.6)
Output relays	3 contacts + 1 floating limit value contact (3 switches + 1; the fourth relay also usable as a timer output -venting function- )
Switching power	Rated: 250 V AC, 2A; 30 V DC, 1A

**Note: The contacts are not protected against overload. Provide external protective devices.**

Head housing	PBT, fibre-glass reinforced
Protection	IP 65 according EN 60 529
Electrical connection	Screw terminals, max. 1.5 mm <sup>2</sup>
Measuring cell	Ceramic with EPDM sealing (*)

**BAMO** INTERNATIONAL

22, Rue de la Voie des Bans · Z.I. de la gare · 95100 ARGENTEUIL

Tel +33 (0)1 30 25 83 20 Web [www.bamo.eu](http://www.bamo.eu)

Fax +33 (0)1 34 10 16 05 E-mail [export@bamo.fr](mailto:export@bamo.fr)

Hydrostatic level controller, 4  
switching points  
**MEMPRO S6.6**

13-03-2020

D-592.03-EN-AB

LEV

592-03/1

## TECHNICAL FEATURES (continued)

### (\* Caution

The controller may only be used with fluids for which its vapours are compatible with the EPDM seal of the sensor. When EPDM is only partially resistant to the chemical, care must be taken that the seal never comes into direct contact with the liquid during operation, assembly and maintenance.

Accuracy	0.5% ± 0.5 Digit
Display in %	Resolution of 1 %
Reset hysteresis	Adjustable from 1 to 99 %
Signal filter	Adjustable from 1 to 9.9 s
Signaling on PCB	3 digits of 7 segments, LED display, 4 LEDs (relays)
Settings	Combined rotary / push switch
Connection for venting function	Through a hose (e.g. PVC 4x1mm) or by screwing a compressed air plug BSP 1/4" with tubing.

**EC Conformity: The instrument meets the legal requirements of the current European Directives**

## PRECAUTIONS

Due to the hydrostatic pressure measurement the reading depends on the liquid density; Therefore, the device may be not convenient when the density is strongly fluctuating.

In such a case, the reading of level is affected; The use of an average value of the density may be a proper correction.

### Please note:

For osmosis and deionized water level measurements, for process where degassing phenomena occurs, the MEMPRO must not operate without its ventilation function set up (see: MEMPRO BL venting unit).



Vent valve



Venting unit MEMPRO BL

## ORDERING INFORMATION

Article Nr: 5892800 for all MEMPRO S6.6

### Hydrostatic level controller, 4 trigger points

#### Process connection:

- R** Head with fixed measuring tube Ø20
- K** Head prepared for tube connection Ø20
- V** Head with hose fitting and mounting bracket

#### Materials

- 1** PVC
- 2** PP

#### Measuring scales

- 1** 1000mm Water column
- 2** 2500mm Water column
- 4** 4000mm Water column
- 10** 10000mm Water column

#### Presetting:

- X** None

#### Tube or hose length\*: for R & V types

- L=** mm

MEMPRO S6.6

(\*): Distance from sealing surface

# BAMO INTERNATIONAL

22, Rue de la Voie des Bans · Z.I. de la gare · 95100 ARGENTEUIL

Tel +33 (0)1 30 25 83 20 Web [www.bamo.eu](http://www.bamo.eu)

Fax +33 (0)1 34 10 16 05 E-mail [export@bamo.fr](mailto:export@bamo.fr)

Hydrostatic level controller, 4  
switching points  
**MEMPRO S6.6**

13-03-2020

D-592.03-EN-AB

LEV

592-03/2

## ORDERING INFORMATION (Continued)

MEMPRO S6.6-R... and MEMPRO S6.6-K... are available on request as "out of silicone" version (restrictions apply).

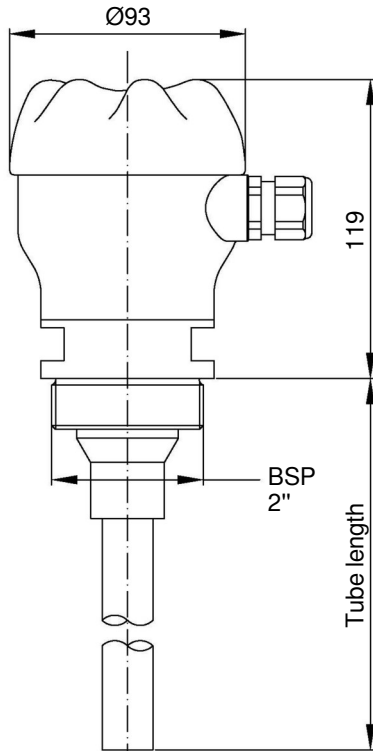
### Accessories:

#### Counterweights for EPDM flexible hose

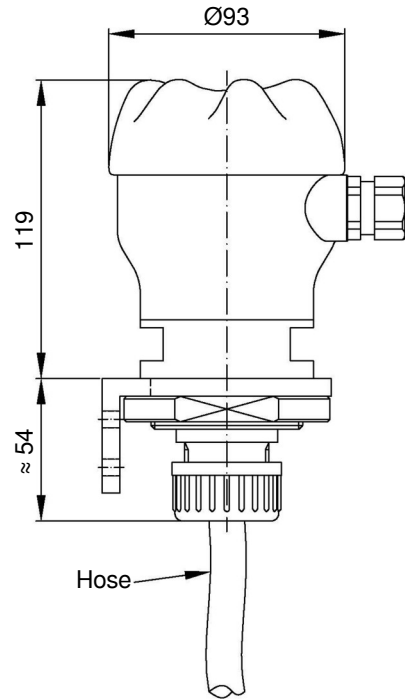
- SW1** PVC counterweight
- SW2** PP counterweight

MEMPRO

## DIMENSIONS



MEMPRO S6.6 R...



MEMPRO S6.6 V...

## HOSE TYPE



Counterweights

# BAMO INTERNATIONAL

22, Rue de la Voie des Bans · Z.I. de la gare · 95100 ARGENTEUIL

Tel +33 (0)1 30 25 83 20 Web [www.bamo.eu](http://www.bamo.eu)

Fax +33 (0)1 34 10 16 05 E-mail [export@bamo.fr](mailto:export@bamo.fr)

Hydrostatic level controller, 4  
switching points  
**MEMPRO S6.6**

13-03-2020

D-592.03-EN-AB

LEV

592-03/3